


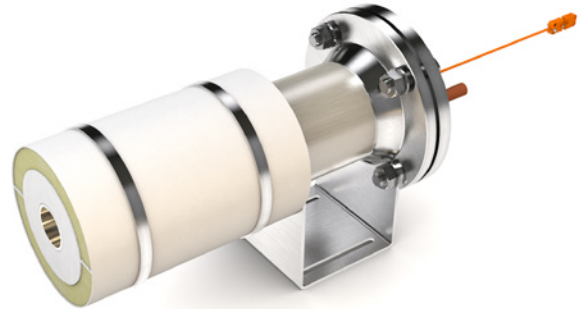
## KANTHAL® FLOW HEATER KFH2-40-480 HEATING GASES UP TO 1100°C

### TECHNICAL SPECIFICATION

#### SPECIFICATIONS

##### GENERAL

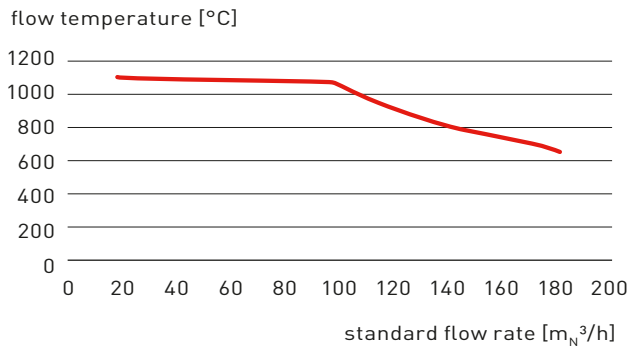
|  |                                  |  |  |
|--|----------------------------------|--|--|
| Model  | KFH2-40-480                      |  |  |
| Article Number   | DFH100407 / DFH100408            |  |  |
| Directive  | Low Voltage Directive 2014/35/EU |  |  |
|  European Community | DIN EN 60519-1                   |  |  |
|  | DIN EN 60335-1                   |  |  |
| Usage ambient temperature  | 0...40 °C                        |  |  |
|  | 32...104 °F                      |  |  |



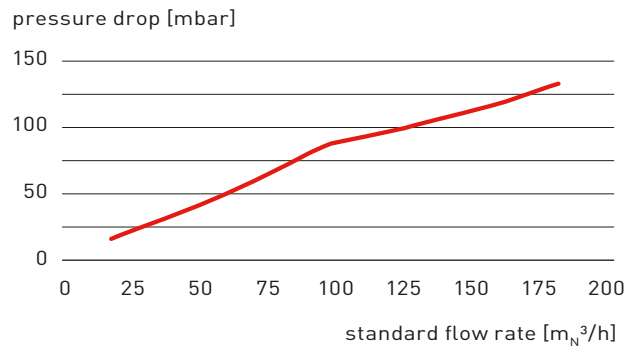
##### FLOW AND HEAT DETAILS

|                                      |                  |             |                     |
|--------------------------------------|------------------|-------------|---------------------|
| Gases and max. outlet temperature    | Air (dry, clean) | 1100 °C     | 2012 °F             |
|                                      | Nitrogen         | 1000 °C     | 1832 °F             |
|                                      | Argon            | 900 °C      | 1652 °F             |
| Maximum inlet temperature            |                  | 50 °C       | 122 °F              |
| Nominal flow rate (air)              | 108 kg/h         | 90 m³/h     | 1500 slm    53 cfm  |
| Minimum flow rate (air)              | 21.6 kg/h        | 18 m³/h     | 300 slm    10.3 cfm |
| Maximum flow rate (air)              | 216 kg/h         | 180 m³/h    | 3000 slm    103 cfm |
| Pressure drop (at nominal flow rate) | 8 kPas           | 80 mbar     | 1.2 psi             |
| Design operating pressure            | 150 kPas abs     | 1,5 bar abs | 22 psi abs          |


##### OUTLET TEMPERATURE IN CLEAN AIR

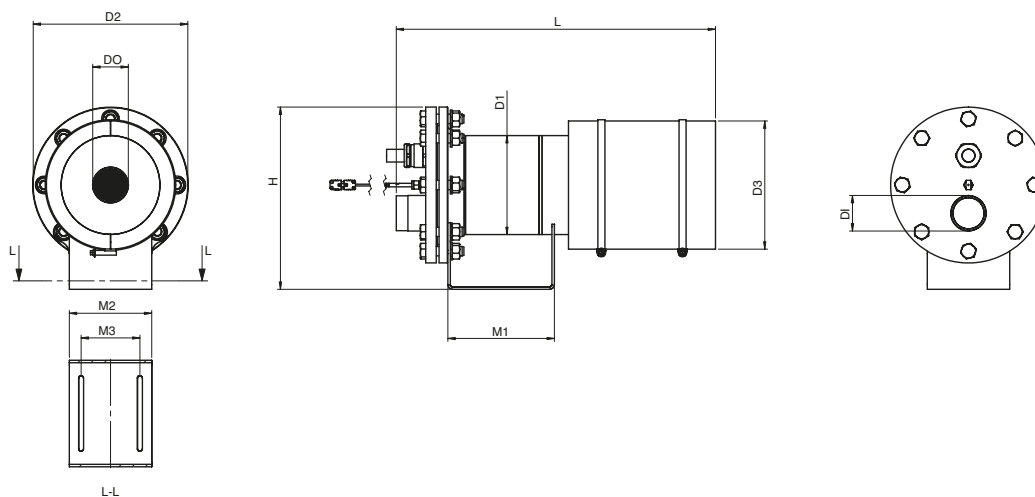


##### PRESSURE DROP IN CLEAN AIR



## ELECTRICAL DETAILS

|                           |   |          |       |
|---------------------------|---|----------|-------|
| Nominal Voltage supply    | 480 V   | 50–60 Hz | 3L+PE |
| Nominal Line Current      | 48 A  |          |       |
| Nominal Power             | 40 kW   |          |       |
| Power Cable               | 4G10 mm <sup>2</sup> (≈AWG 7)   |          | 2.5 m |
| Recommended Power Control | PID control with fast reaction parameter settings and thyristor switch            |          |       |
| Protection Class          |  |          | 1     |
| Type of load              | Ohmic   |          |       |
| Thermocouple              | Type S, miniature connector 2-pole  |          |       |



## MECHANICAL DETAILS

|                       | L                     | H      | D1       | D2          | D3     | M1     | M2     | M3     |
|-----------------------|-----------------------|--------|----------|-------------|--------|--------|--------|--------|
| Dimensions            | 572 mm                | 310 mm | 168.3 mm | 265 mm      | 225 mm | 181 mm | 140 mm | 100 mm |
| Flow Inlet (threaded) | R2" (external thread) |        |          | D1 Ø60.3 mm |        |        |        |        |
| Flow Outlet           | 2"                    |        |          | DO Ø60.3 mm |        |        |        |        |
| Weight                | 38 kg                 |        |          |             |        |        |        |        |

## SPARE PARTS

| DESCRIPTION                | ARTICLE NUMBER |
|----------------------------|----------------|
| Insulation set with clamps | DFH400007      |
| Nozzle Insulation          | DFH400086      |